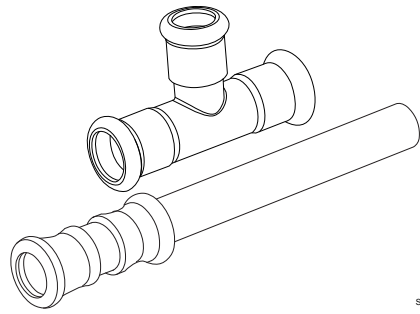
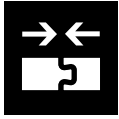
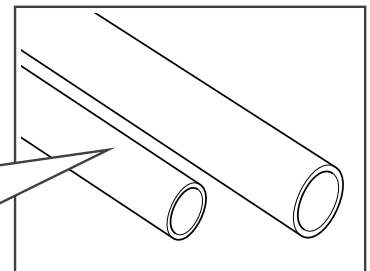
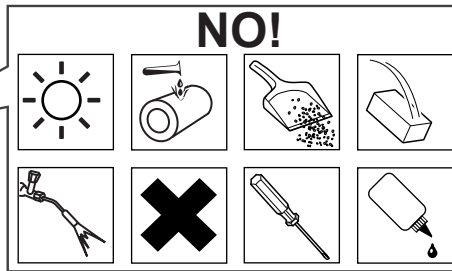
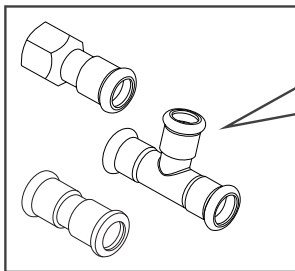


Uponor INOX



SD0000131



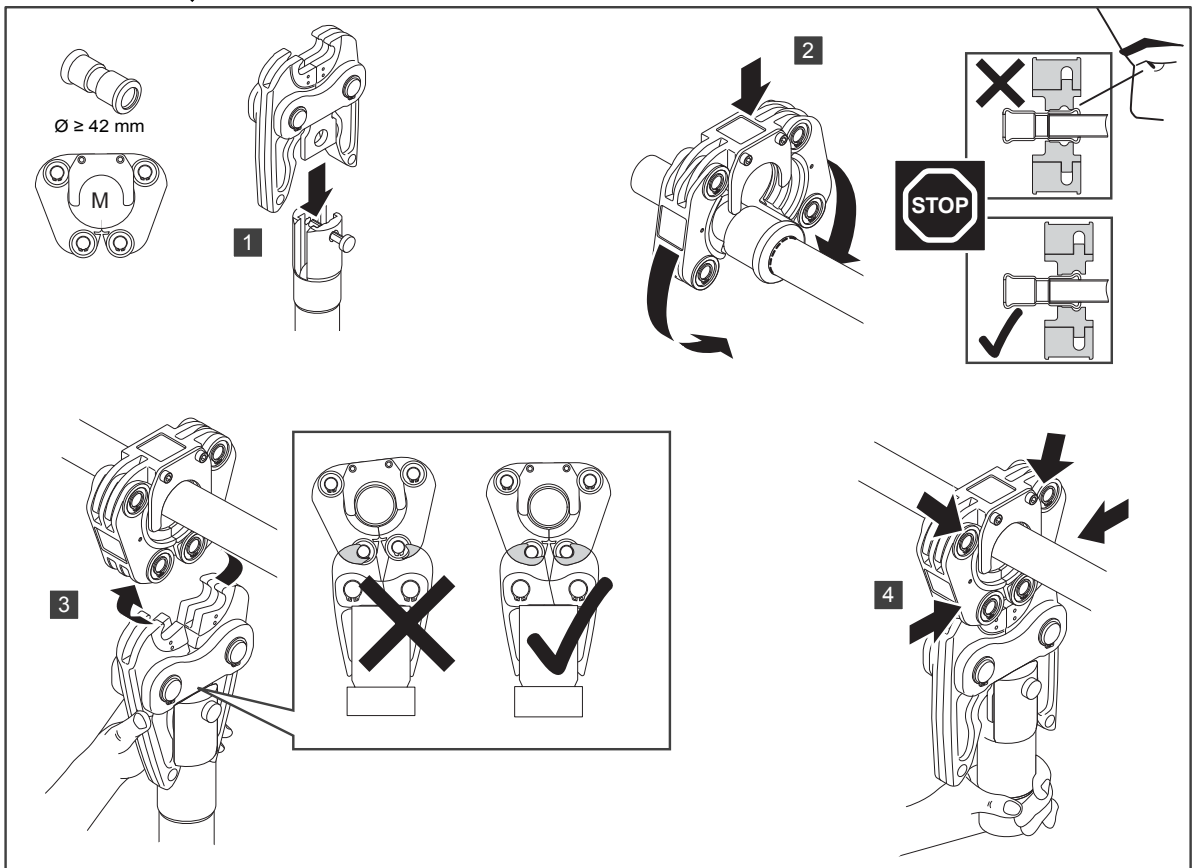
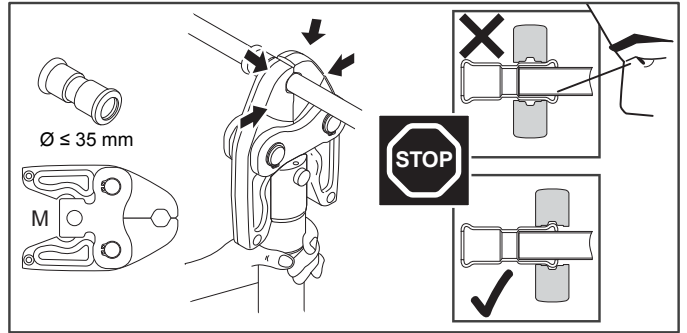
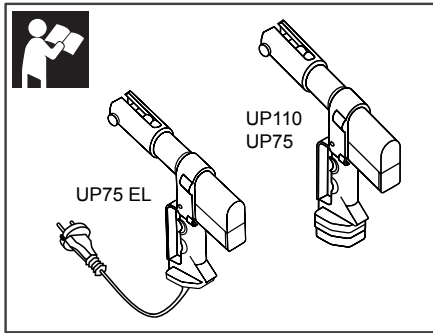
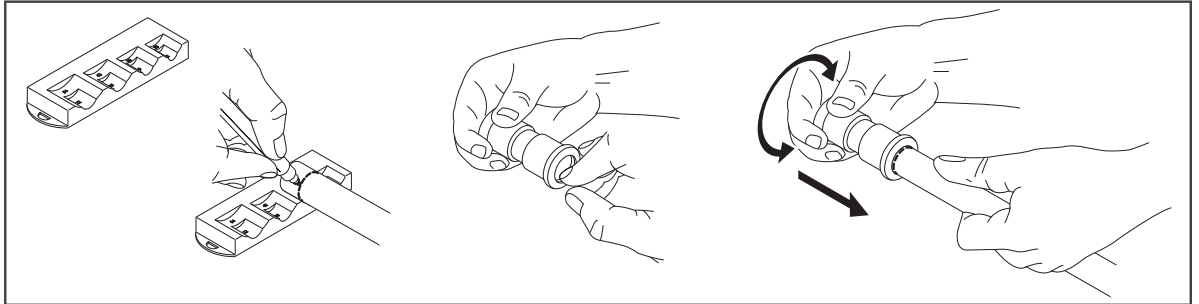
$\Delta L = a \cdot L \cdot \Delta T$

d [mm]	15 / 18	22 / 28	35 / 42 / 54
L [m]	1.5	2.5	3.5



15 - 54 mm

SD000401



Uponor GmbH

Industriestraße 56,
D-97437 Hassfurt, Germany

1119965 v1_01_2021_INT
Production: Uponor/DCO

Uponor reserves the right to make changes, without prior notification, to the specification of incorporated components in line with its policy of continuous improvement and development.



www.uponor.com